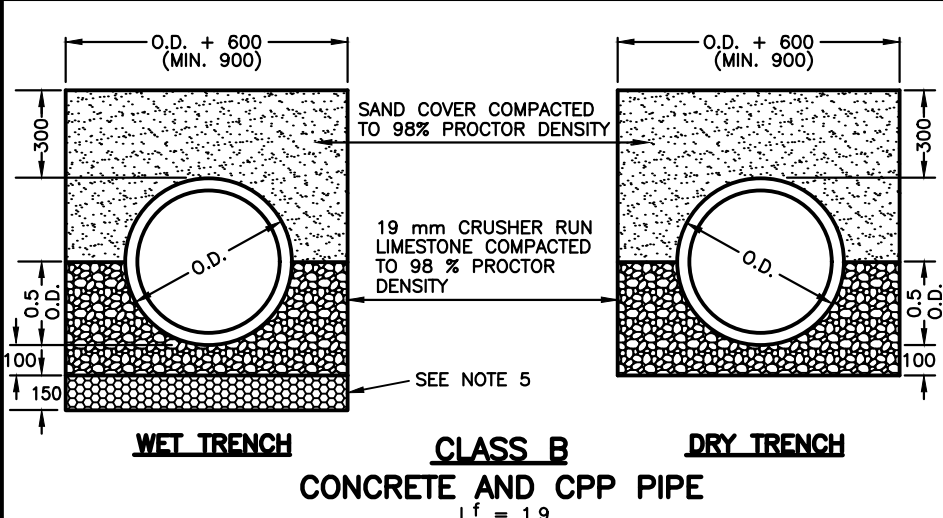


NOTES

- 1. PVC WATERMAIN AND PVC SANITARY SEWERS SHALL NOT BE CONCRETE ENCASED.
- 2. THIS DETAIL APPLIES TO PROPOSED PIPING ONLY.

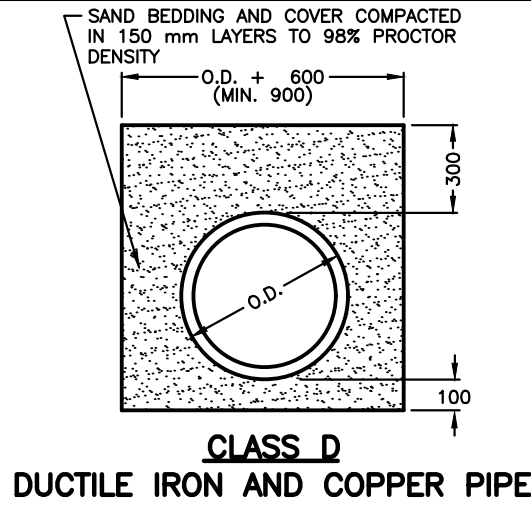
CLASS A

- REINFORCED $A_s = 1.0\%$ $L_f = 4.8$
- REINFORCED $A_s = 0.4\%$ $L_f = 3.4$
- PLAIN $L_f = 2.8$



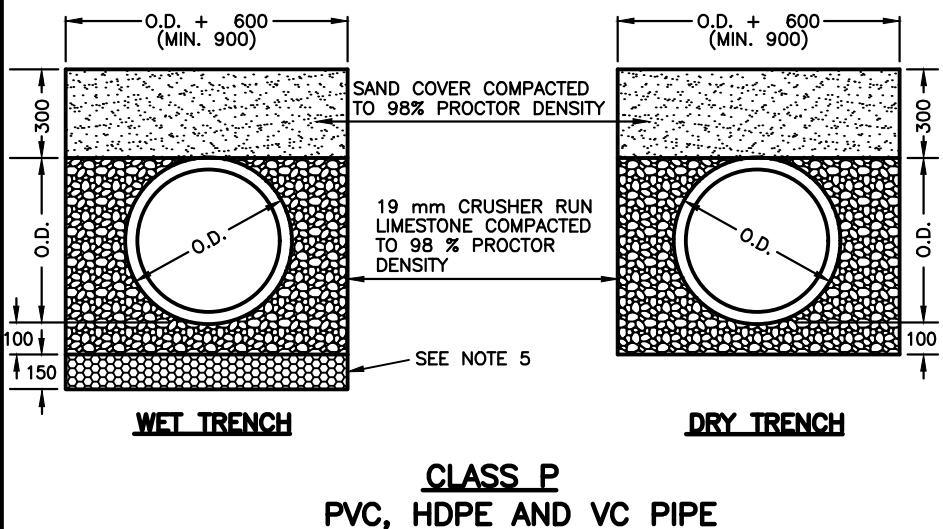
CLASS B

CONCRETE AND CPP PIPE
 $L_f = 1.9$



CLASS D

DUCTILE IRON AND COPPER PIPE



CLASS P

PVC, HDPE AND VC PIPE

LEGEND

- O.D. = OUTSIDE DIAMETER OF PIPE
- L_f = LOAD FACTOR
- A_s = AREA OF STEEL

NOTES

1. BEDDING MATERIALS SHALL BE FULLY EXTENDED AND COMPACTED AGAINST TRENCH WALLS. BEDDING MATERIALS SHALL BE PLACED AND COMPACTED IN 150mm LAYERS.
 2. NO MECHANICAL COMPACTION EQUIPMENT SHALL BE USED PM TOP OF PIPE PRIOR TO PLACING A MINIMUM OF 300mm COVER.
 3. PIPE SHALL BE BEDDED TO PROPOSED LINE AND GRADE WITH UNIFORM AND CONTINUOUS SUPPORT FROM BEDDING. BLOCKING WITH ANY HARD OBJECT SHALL NOT BE USED TO BRING THE PIPE TO GRADE.
 4. 19 mm DIA. CRUSHER RUN LIMESTONE TO MEET OPSS 1010 - GRANULAR A SPEC. - TABLE 2.
 5. WHEN WET TRENCH CONDITIONS ARE PRESENT, PLACE 150mm DEPTH OF A 50/50 BLEND OF HL6 STONE AND 19mm CRUSHER RUN LIMESTONE BELOW 19mm CRUSHER RUN LIMESTONE BEDDING.
 6. CONCRETE TO OPSS.MUNI 1350.
- ALL DIMENSIONS IN MILLIMETRES EXCEPT WHERE NOTED.



WORKS DEPARTMENT

**SANITARY, STORM AND WATER
(MAIN AND SERVICE) PIPE BEDDING
AND CONCRETE ENCASEMENT DETAILS**

DWG. DATE: 1978 03
REVISION NO.: 14
REV. DATE: 2022 02
SCALE: N.T.S.
S-200.010