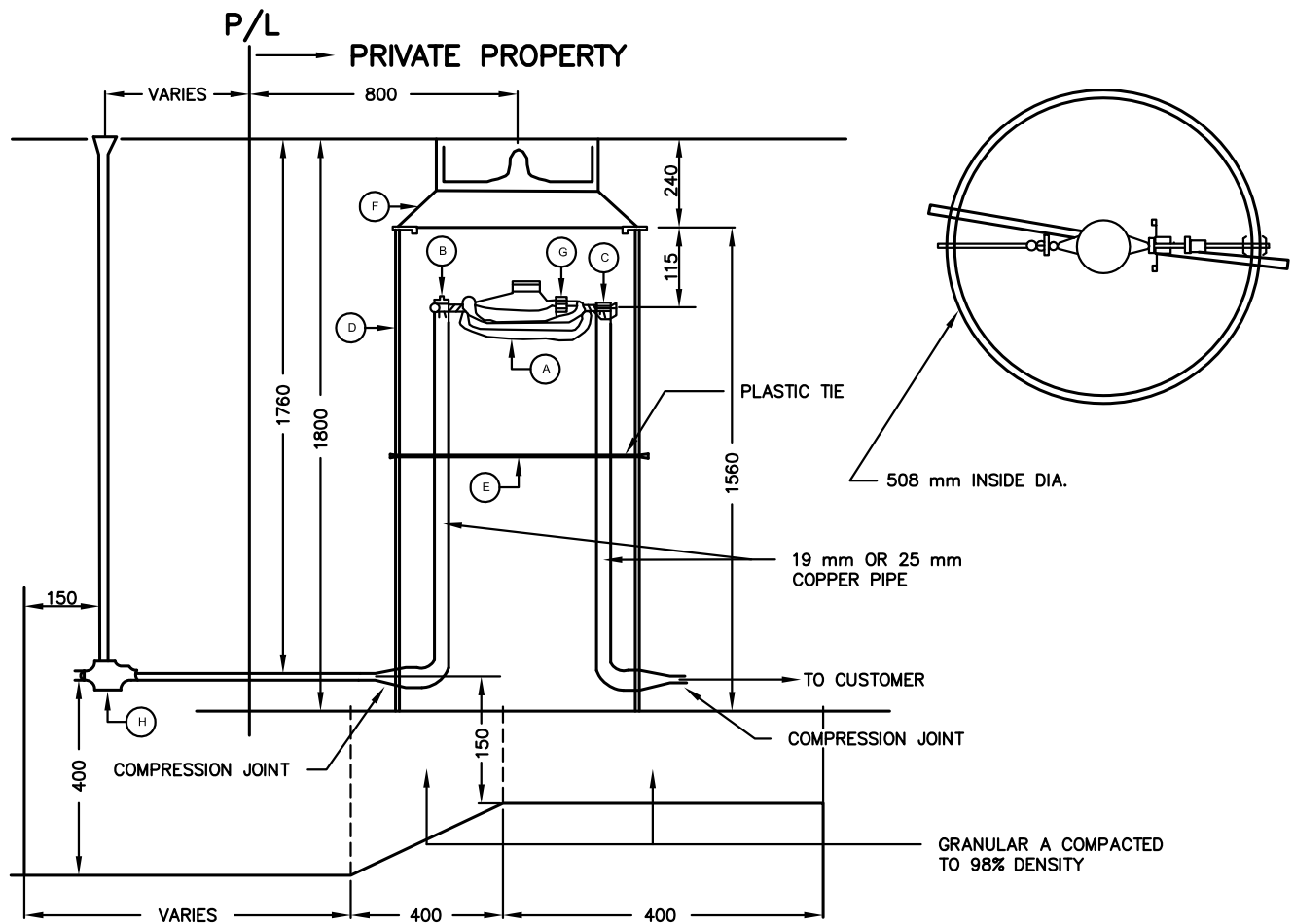


FOR SEASONAL METER USE ONLY



NOTES

1. STANDARD SHALL BE USED FOR 19 mm TO 25 mm METER SIZES ONLY AND SHALL BE APPROVED FOR USE BY THE REGION OF DURHAM ON A SITE SPECIFIC BASIS.
2. METERS 38 mm OR LARGER SHALL BE AS PER S-240.020.
3. CONSUMER SHALL BE RESPONSIBLE FOR THE REMOVAL OF WATER (TO PREVENT FREEZING) FROM THE COPPER PIPE AT THE METER TO OUTLET.
4. THE CONSUMER SHALL BE RESPONSIBLE FOR THE INSTALLATION (AS PER THIS STANDARD) AND FOR ALL MAINTENANCE AND/OR REPAIRS.
5. THE PIT SETTER LOCATIONS SHALL BE APPROVED BY THE REGION OF DURHAM AND SHALL NOT BE LOCATED IN A DRIVEWAY OR PARKING AREA.
6. ACCESS TO THE PIT SETTER SHALL BE PROVIDED BY THE CONSUMER.
7. FOR SEASONAL METER USE ONLY.

ITEM	DESCRIPTION
A	YOKE
B	ANGLE BALL VALVE
C	ANGLE CHECK VALVE
D	508 mm LD. PVC PIPE
E	16 mm PVC SUPPORT AND CAPS
F	METER BOX COVER AND LID
G	EXPANSION CONNECTION
H	CURB STOP AND DRAIN

ALL DIMENSIONS IN MILLIMETRES EXCEPT WHERE NOTED.



WORKS DEPARTMENT

**WATER METER PIT SETTER
(19 mm TO 25 mm METER)**

DWG. DATE: 1991 11
 REVISION NO.: 4
 REV. DATE: 2014 04
 SCALE: N.T.S.

S-240.061